



mandarin imports & exports

mandarin imports & exports

Forklift Attachments Catalogue



**SPECIALISING IN
CUSTOM MADE
& DESIGN**

Tyre Extension Slippers P1-2

Container ramps P3-5

Safety cages/work platforms P6

Goods Cage P7-8

Jibs P9-23

Carpet/Roll Prong P24-25

Tyres P26-27

Load Guards P28

Tynes/Forks P29

Rotators P30

Side Shifts P31

Forward Bulk Bin Tipper P32

Pallet Jacks P33

50 Mandarin Street, Fairfield East NSW 2165
02-97270753 | SERENE@MANDARINIMPORTSEXPORTS.COM.AU

Slippers



SPECIFICATIONS:

- Made of High Tensile Grade Steel
- Zinc Plated for added Protection
- High Safe Working Load (SWL) Rating
- Supplied with Toggle Locking Pins
- Fitted with Rating Plate
- All slippers sold as a pair



Type	Class	Length (MM)	To Suit Max Tyne Size	Weight Per Pair	SWL (kg) per pair At 600mm L/C
TE1-18	1	1800MM	100X45MM	55kgs	3000KGS
TE1-21	1	2100MM	100X45MM	65kgs	3000KGS
TE1-24	1	2400MM	100X45MM	75kgs	3000KGS
TE2-16	2	1600MM	130 X 50MM	59KGS	4500KGS
TE2-18	2	1800MM	130 X 50MM	66 KGS	4500 KGS
TE2-21	2	2100MM	130 X 50MM	77 KGS	4500 KGS
TE2-24	2	2400MM	130 X 50MM	88 KGS	4500 KGS
TE3-18	3	1800MM	150 X 60MM	102 KGS	6500 KGS
TE3-21	3	2100MM	150 X 60MM	119 KGS	6500 KGS
TE3-24	3	2400MM	150 X 60MM	136 KGS	6500 KGS
TE3-30	3	3000MM	150 X 60MM	170 KGS	6500 KGS
TE3-35	3	3500MM	150 X 60MM	202 KGS	6500 KGS



Type	Class	Length (MM)	To Suit Max Tyne Size	Weight Per Pair	SWL (kg) per pair At 600mm L/C
TE4-18	4	1800MM	165 X 65MM	112KGS	8500KGS
TE4-21	4	2100MM	165 X 65MM	132 KGS	8500 KGS
TE4-24	4	2400MM	165 X 65MM	152 KGS	8500 KGS
TE4-30	4	3000MM	165 X 65MM	260 KGS	8500 KGS
TE4-35	4	3500MM	165 X 65MM	300 KGS	8500 KGS

Container Ramps

CR60 This type of container ramp is the economic solution for the safe loading and unloading of goods from a container.

Specifications:

- Rated Capacity: 6000 Kgs
- low gradient 1.25m length x 2.2m width
- 5mm steel and reinforced with ribs
- Weight: 160KGS
- Enamel painted finish in safety yellow
- Built in pockets for forklift to pick up and locate the container ramp easily
- Fork Pocket Size 165 x 60mm



CR65

This ramp is fitted with handy flip-up pockets to enable safe transport, and safety chains on either side to ensure a safe connection to the container while in use.

Rated 6.5 tonne with a fully reinforced underside to eliminate steel fatigue, the CR65 is designed to handle most general applications with ease.

FEATURES:

- Dimensions: 2000mm (w) x 1542mm (L)
- Working Load Limit (WLL) 6500kg
- Unit weight 180kg
- Enamel paint finish



CR70 This type of container ramps are designed for bridging into standard containers from ground level.

The self-levelling lip allows for full load capacity when on slightly uneven ground.

Specifications:

- Rated Capacity: 7000 Kgs
- low gradient 2m length x 2.2m width
- Front section folds back to allow easy forklift access from front.
- 5mm steel and reinforced with ribs
- Weight: 304KGS
- Enamel painted finish in safety yellow
- Built in pockets for forklift to pick up and locate the container ramp easily
- Fork Pocket Size 165 x 60mm



Container Ramps-CRS8

The type CRS8 Container Ramp has been designed for fast positioning and removal. Fitted with pockets each side, plus flip-up front tine pockets, this ramp can be maneuvered in confined spaces.

Raised side plates ensure the Forklift remains on the ramp. The tread plate decking is fully gusseted underneath to eliminate fatigue. Securing safety chains both sides of the ramp prevent unintentional disengagement of the ramp from the container.

CRSN8 SPECIFICATIONS:

- 8000kg Safe Working Load
- Unit Weight 440kg
- Width 2320mm, Length 1800mm



Safety Cage/ Work Platform-Yellow Painted or Galvanised

Our work platform has been designed to carry out those maintenance tasks of short duration and occasional usage where safe working at height is paramount. Fitted with a self-closing inward opening gate and comes complete with two Floor Mounted Harness Anchor Points for extra safety. A removable tray is also included for handy and safe placement of tools and equipment.

Non-slip floor with drain holes.
Flat packed for easy transport.

SPECIFICATIONS:

- Safe Working Load (SWL): 250kg
- Load Centre: 600mm Unit Weight: 122kg
- Pocket Size: 160 x 65mm
- Floor dimensions inside: 1040 x 1070mm
- Flat packed dimension: 1040 x 1070 x 200mm
- Assembled Dimension: 1040 x 1070 x 2080mm
- Enamel painted finish in safety yellow or galvanised zinc plated
- Supplied with Fork Locking Pins

Please note the use of this work platform on a forklift truck should not be considered if the capacity of that forklift is less than 1860kg for a counterbalanced type or 1116kg for a reach type Forklift.



Goods Cage-GC15

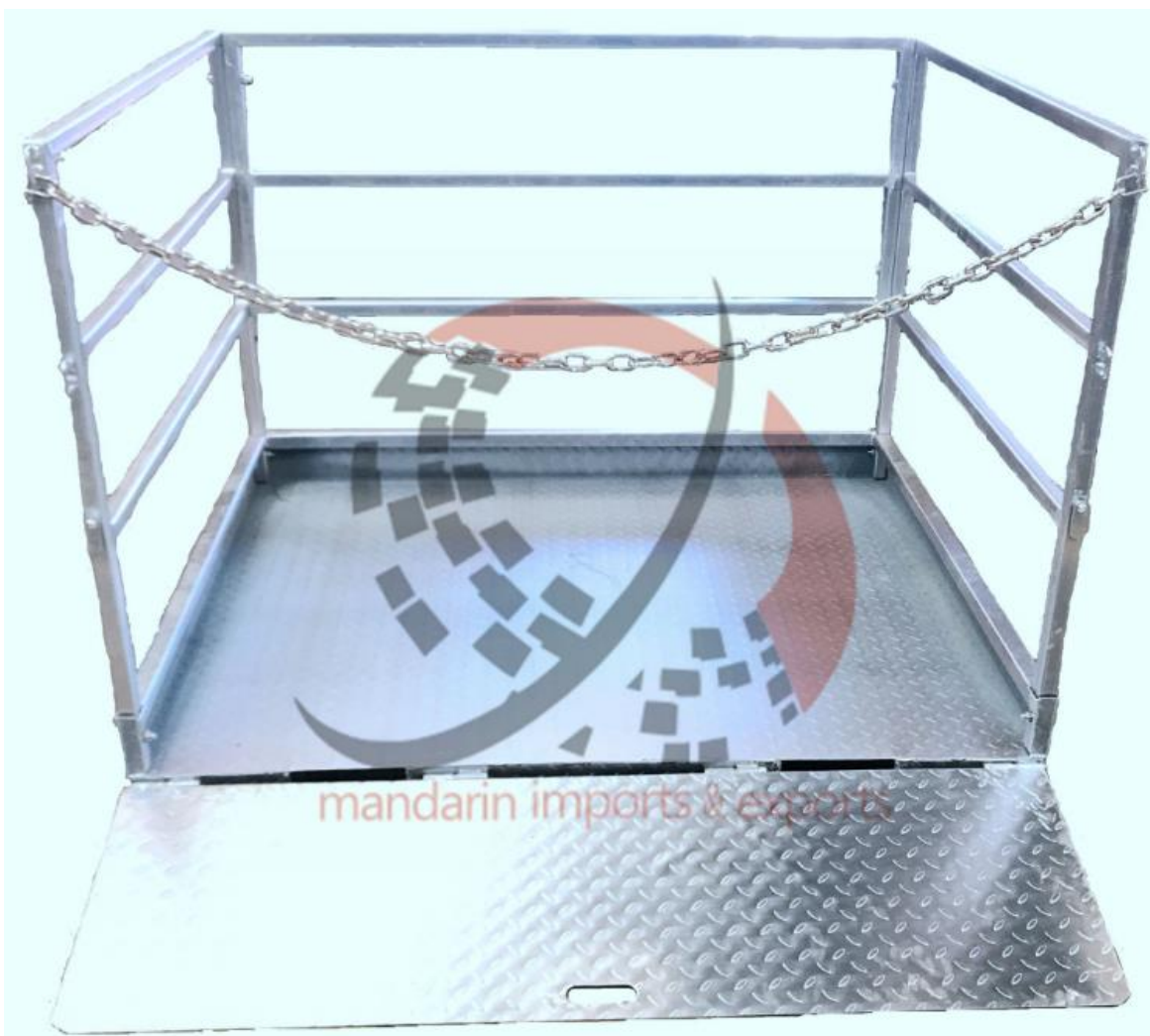
This goods cage has been designed for the safe and easy storage and transport of goods including furniture and whitegoods. A hinged ramp allows for easy trolley access. With ramp locked in the vertical position and the 2 front safety chains across the front goods are secured inside the cage.

Manufactured strictly in accordance with Australian Standard AS 2359.1.
Supplied complete with safety chain for secure forklift mounting.
The standard finish on the cage is fully zinc plated.

The cage is not designed or certified to convey personnel.

SPECIFICATIONS:

- External Dimensions: 1550 wide x 1150 high x 1200mm deep
- Working Load Limit: (WLL) 1500kg
- Load Centre: 600mm
- Unit Weight: 143kg
- Pocket Size: 185 x 85mm
- Supplied flatpack as standard for easy transport



Goods Cage- GC20

This cage is used to meet storing demands in warehouses or other occasions. It's fast and easy to install or dismantle. It can be move easily by forklifts, pallet jacks, stackers and etc.

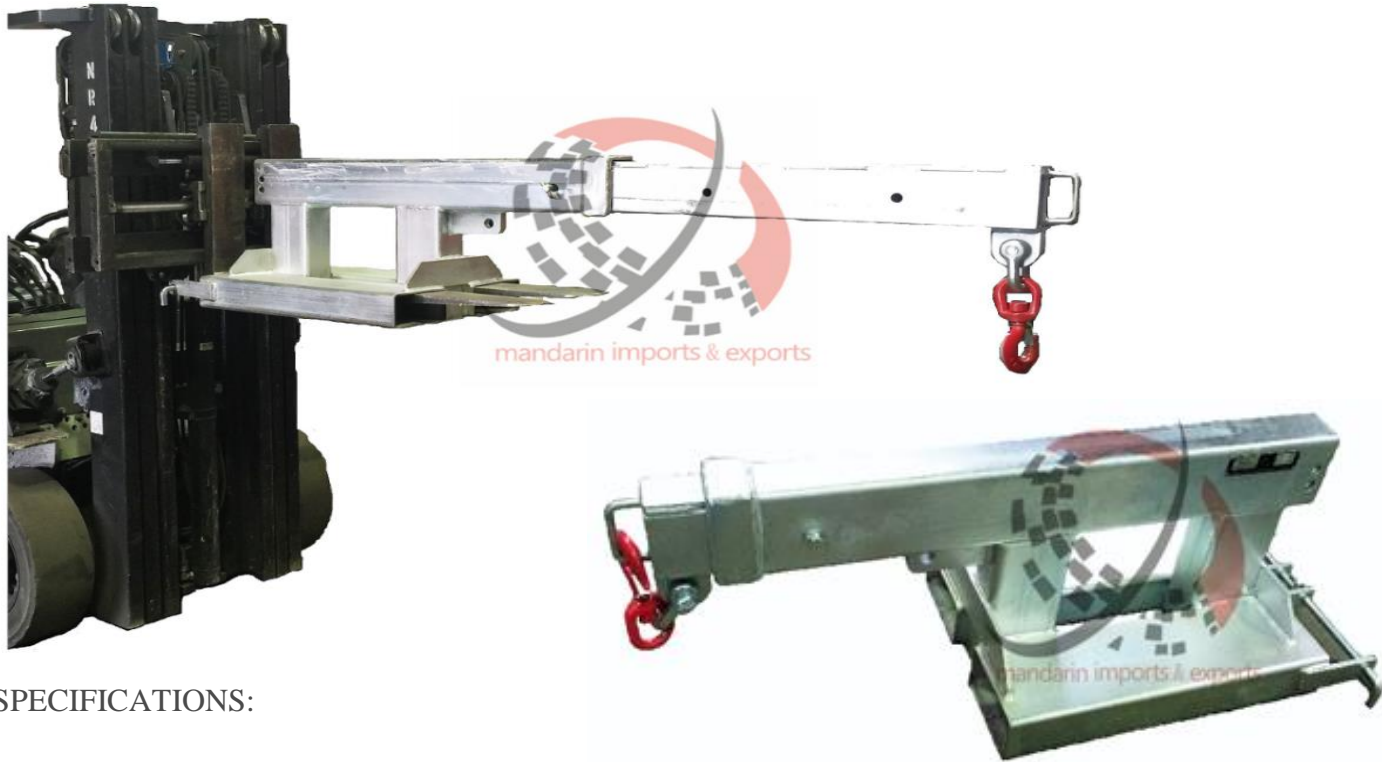
This cage comes with a folding front gate and hinged one at the rear, makes it easy for loading and unloading.

- Stackable
- Safe working load: 2000kg (evenly distributed)
- Outer size: 1160mm x 1160mm x 990mm
- Mesh spacing: 75mm x 50mm
- Unit weight: 65kg
- Surface treatment: Galvanized finish



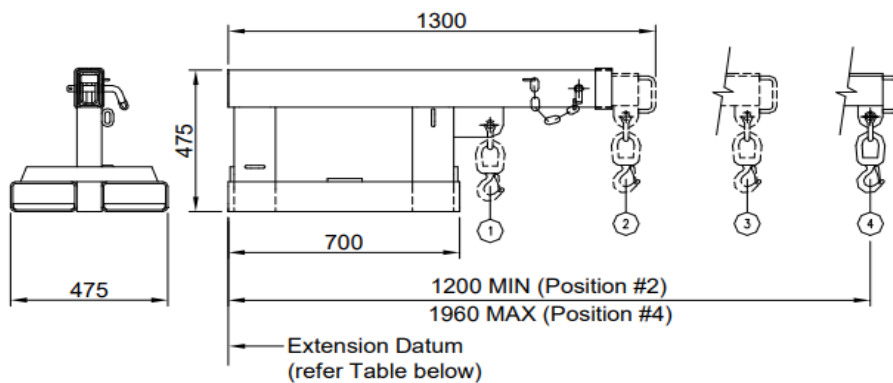
Forklift Jib-FSJ2.5

Our fixed Short Jib is designed as an affordable general purpose Jib able to maneuver in confined spaces, with a 1.96 meter reach when fully extended. This slip-on attachment is held to the forklift by a locking pin. The overall length of the jib when closed is 1.3 meters.



SPECIFICATIONS:

- Safe Working Load (SWL) 2500kg Max.
- Unit Weight 100kg
- Load Centre 790mm
- Pocket Size: 185mm x 65mm
- Zinc Plated for added protection



SAFE WORKING LOADS (SWL) PER POSITION				
POSITION	1	2	3	4
EXTENSION (mm)	790	1200	1580	1960
SWL (kg)	2500	1200	900	750

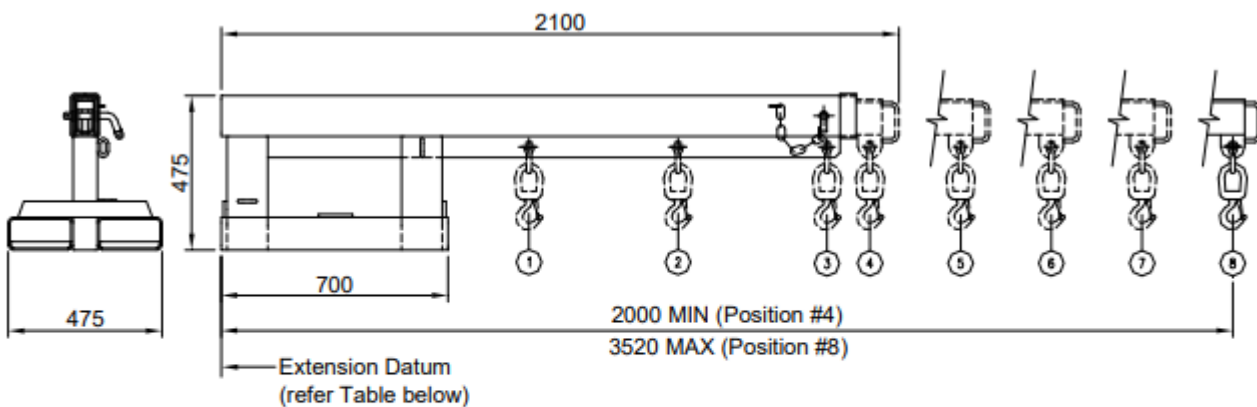


Forklift Jib-FLJ2.5

This jib has a 3.5 meters extension which allows for long reach lifts. The overall length of the jib when retracted is 2.1 meters. This slip-on attachment is held to the forklift by 2 safety pins, with standard Zinc Plated finish.

SPECIFICATIONS:

- Safe Working Load (SWL) 2500kg Max.
- Unit Weight 168kg
- Load Centre 790mm
- Pocket Size: 185mm x 75mm
- Zinc Plated for added protection



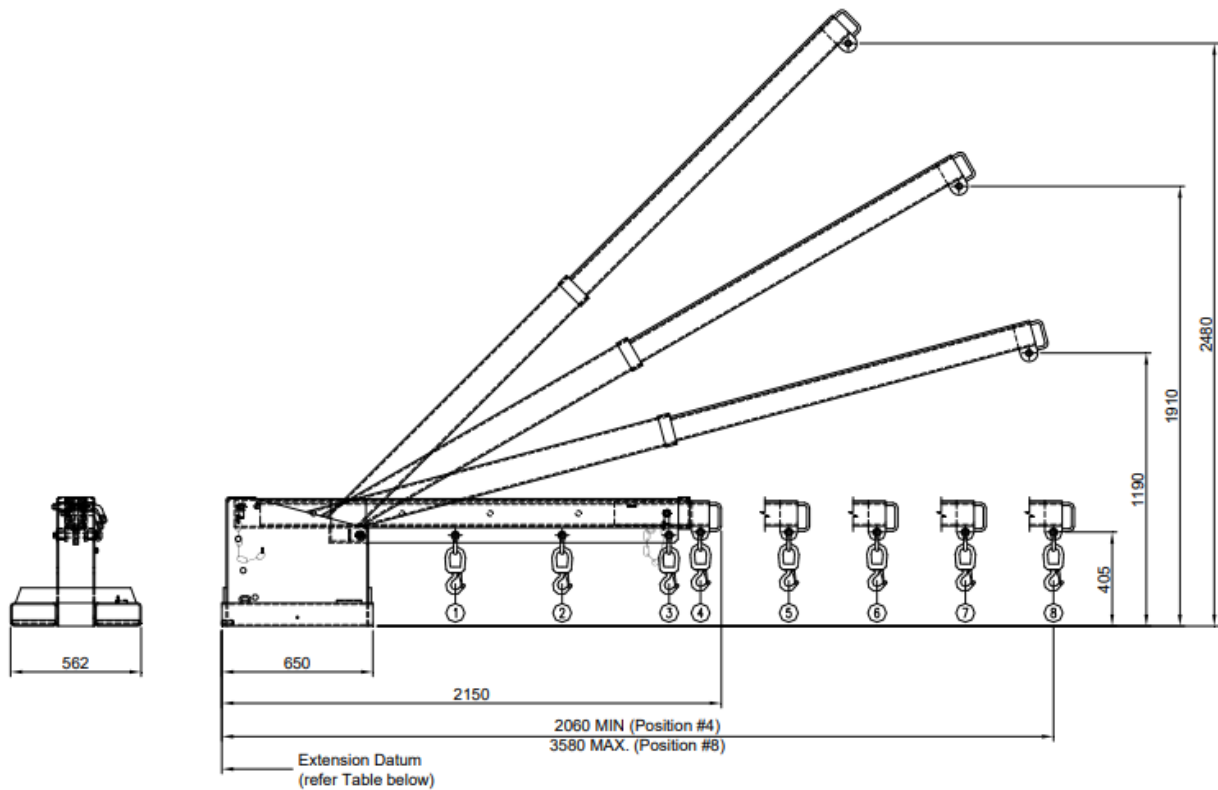
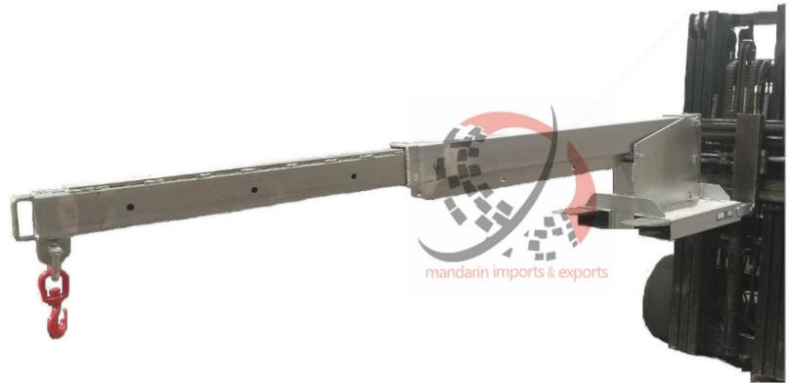
SAFE WORKING LOADS (SWL) PER POSITION								
POSITION	1	2	3	4	5	6	7	8
EXTENSION (mm)	950	1410	1870	2000	2380	2760	3140	3520
SWL (kg)	2500	2500	1900	1650	1250	650	380	240

Forklift Jib-TLJ2.5

With a maximum reach of 3.58 meters and an additional height of 2.4 meters when fully extended, this tilt jib is extremely versatile. 8 hook positions available as well as 3 different angle positions. Zinc plated finish. This slip-on attachment is held to the forklift by 2 safety pins.

SPECIFICATIONS:

- Safe Working Load (SWL)
2500kg Max.
- Unit Weight 196kg
- Load Centre 790mm
- Pocket Size: 185mm x 75mm
- Zinc Plated for added protection



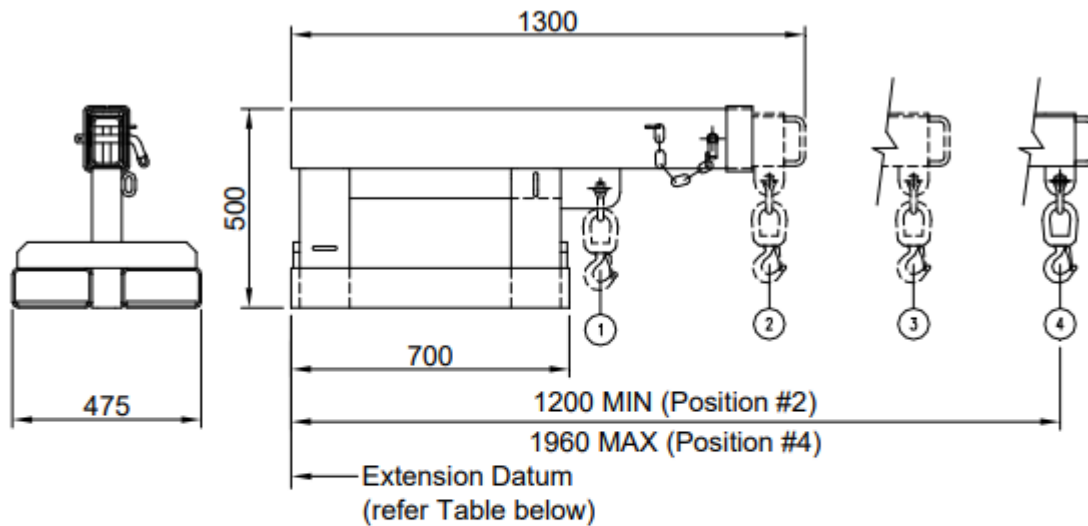
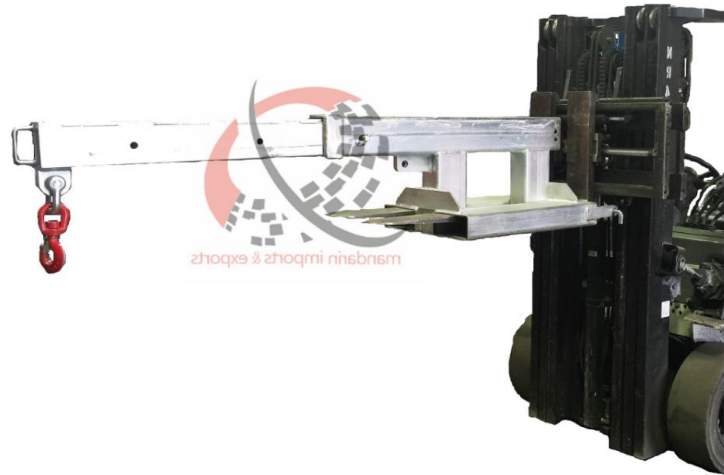
WORKING LOAD LIMIT (WLL) PER POSITION								
POSITION	1	2	3	4	5	6	7	8
EXTENSION (mm)	1005	1465	1925	2060	2440	2820	3200	3580
WLL (kg)	2500	2500	1900	1650	1250	650	380	240

Forklift Jib-FSJ5.0

The type FJS50 Fixed Short Jib is designed as an affordable general purpose Jib able to manoeuvre in confined spaces, with a 1.96 metre reach when fully extended. This slip-on Forklift attachment is held to the Forklift by 2 safety pins. The Jibs overall length when closed is 1.3 metres. The standard finish on the type is Zinc Plated.

SPECIFICATIONS:

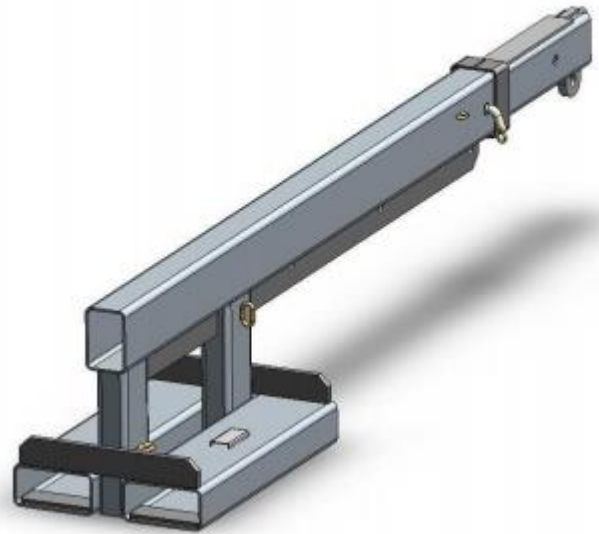
- Safe Working Load (SWL)
4750kg Max.
- Unit Weight 130kg
- Load Centre 790mm
- Pocket Size 200 x 100



SAFE WORKING LOADS (SWL) PER POSITION				
POSITION	1	2	3	4
EXTENSION (mm)	780	1200	1580	1960
SWL (kg)	4750	2400	1800	1500

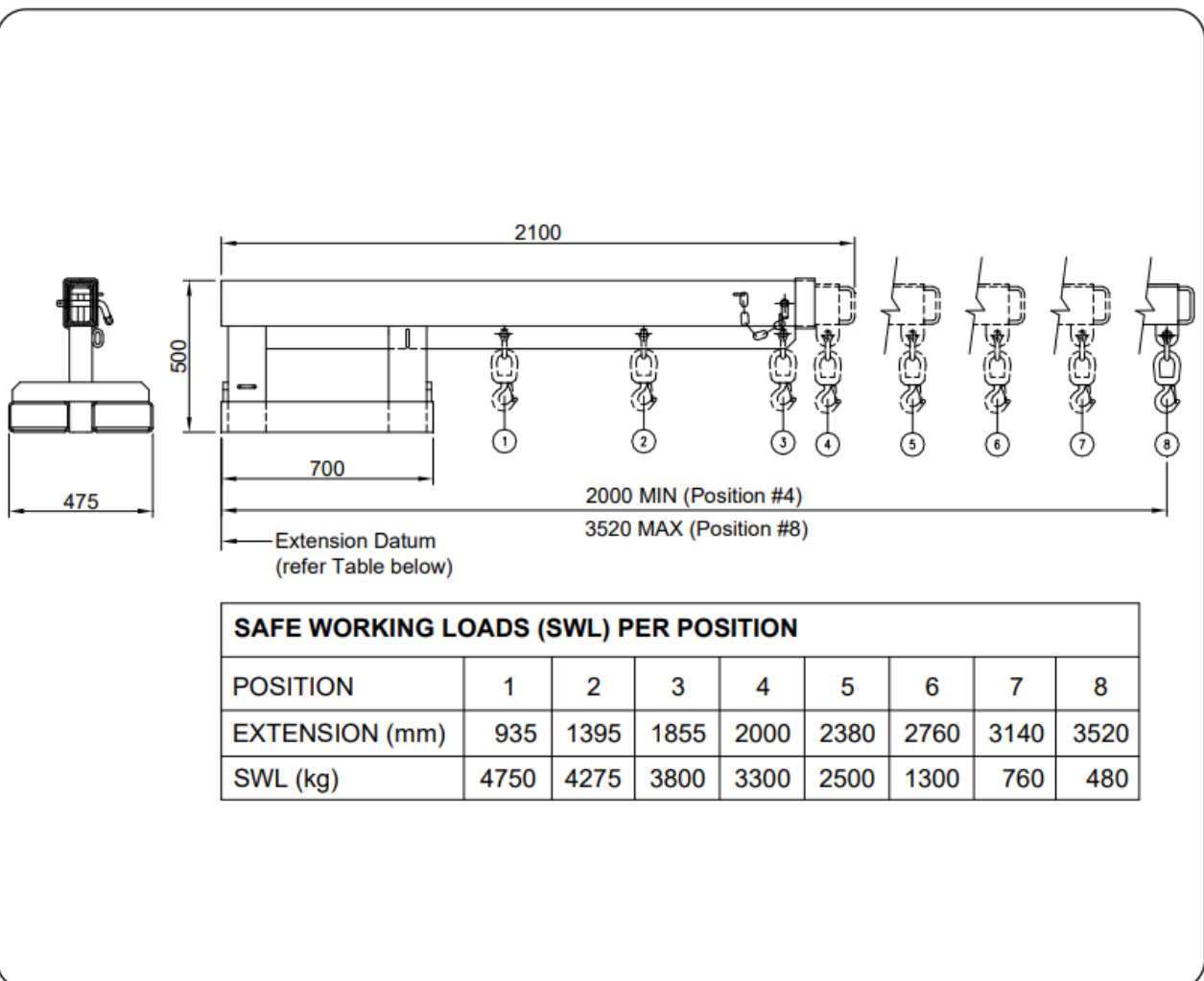
Forklift Jib-FLJ5.0

The type FJL5.0 Fixed Jib (Long) is designed as an affordable general purpose Jib with a 3.5 metre reach when fully extended. This slip-on Forklift attachment is held to the Forklift by a safety chain. The Jibs overall length when closed is 2.1 metres. This slip-on attachment is held to the Forklift by 2 safety locking pins. The standard finish is Zinc Plated.



SPECIFICATIONS:

- Safe Working Load (SWL) 4750kg Max.
- Unit Weight 180kg
- Load Centre 920mm
- Pocket Size 200 x 100mm

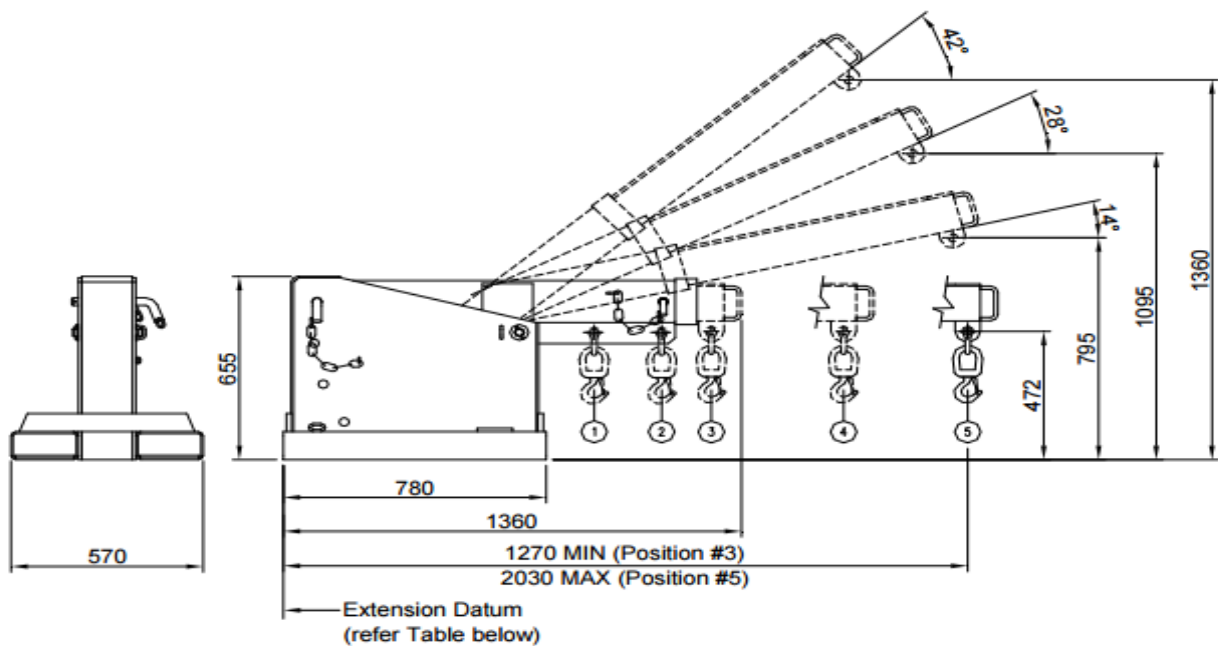
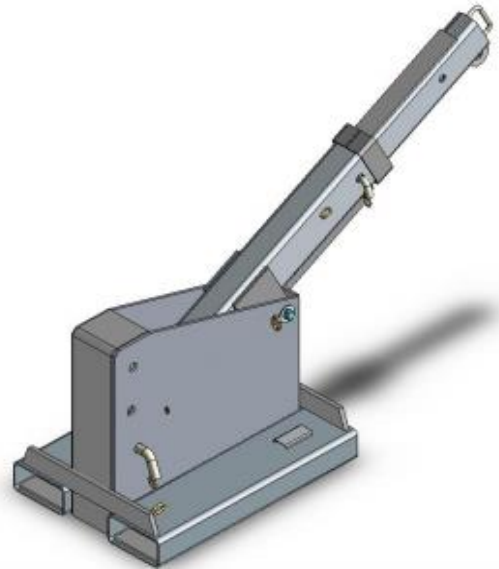


Forklift Jib-TSJ5.0

The type TJS5.0 Tilt Jib (Short) is designed with a tilt facility allowing extra height to compensate for the hook and sling length lost when lifting with a Jib attachment. A maximum height of 1.36 metres can be gained while the Jib can be fully extended to 2.03 metres. This slip-on attachment is held to the Forklift by a safety chain. The Jibs overall length when closed is 1.36 metres. The standard finish on the type TJS5 Tilt Jib (Short) is Zinc Plated.

SPECIFICATIONS:

- Safe Working Load (SWL) 4750kg Max.
- Unit Weight 180kg
- Load Centre 920mm
- Pocket Size 185 x 75mm



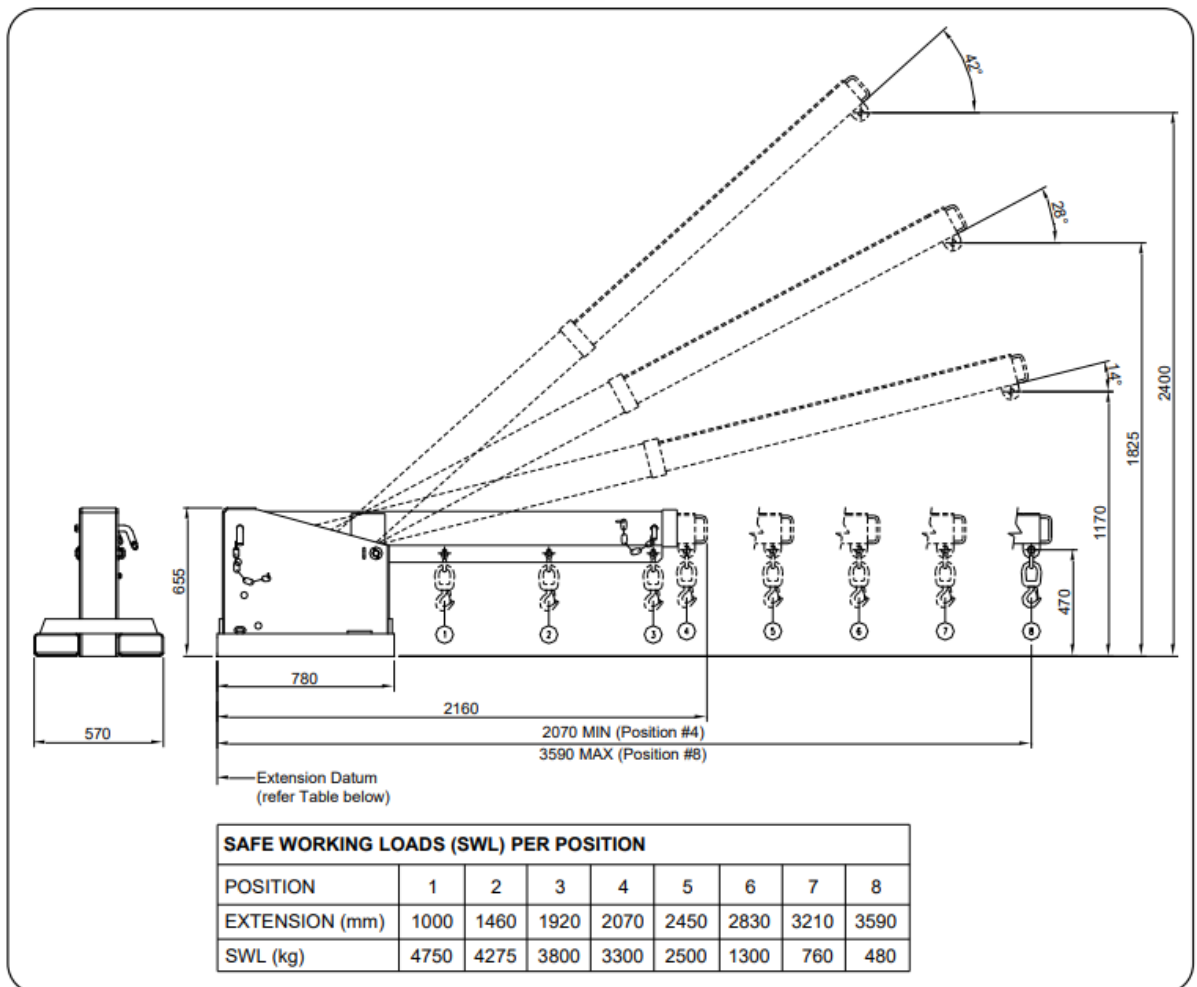
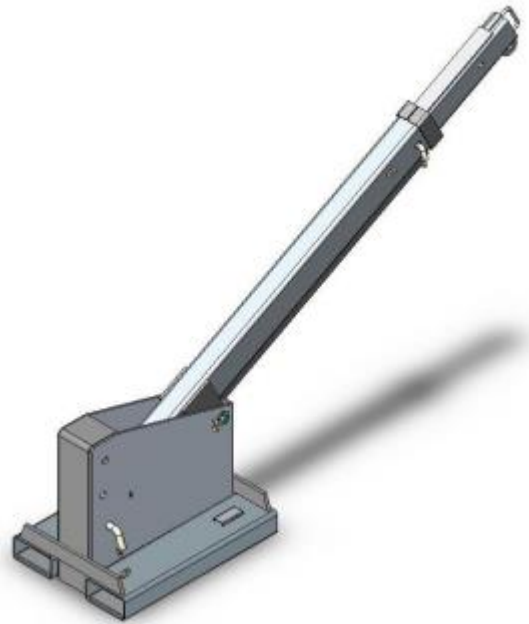
SAFE WORKING LOADS (SWL) PER POSITION					
POSITION	1	2	3	4	5
EXTENSION (mm)	920	1120	1270	1650	2030
SWL (kg)	4750	3600	2400	1800	1500

Forklift Jib-TLJ5.0

The type TLJ50 Tilt Jib (Long) is the most versatile Forklift Jib attachment in our range, allowing extra height to 2.4 metres, with a 3.59 metre reach when fully extended. This slip-on attachment is held to the Forklift by a safety chain. The Jibs overall length when closed is 2.16 metres. The standard finish on the type TLJ50 Tilt Jib (Long) is Zinc Plated.

SPECIFICATIONS:

- Safe Working Load (SWL) 4750kg Max.
- Unit Weight 240kg
- Load Centre 920mm
- Pocket Size 200 x 100mm

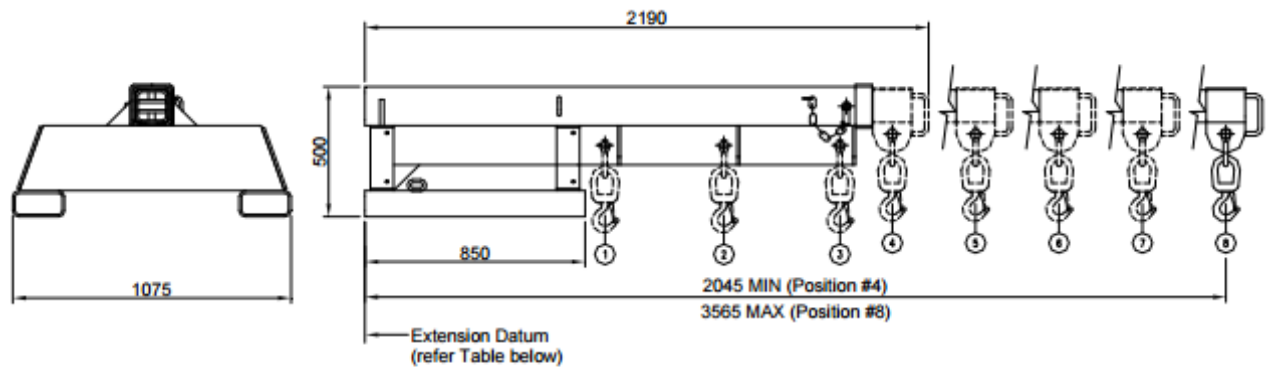


Forklift Jib-FLJ7.5

The type FLJ7.5 Fixed Jib (Long) is designed as an affordable general purpose Jib with a 3.56 metre reach when fully extended. This Jib has been designed with wide pockets suitable for Forklifts with special hydraulic Tine Positioners. This slip-on Forklift attachment is held to the Forklift by a safety chain. The Jibs overall length when closed is 2.19 metres. Supplied with safety swivel Hook and Shackle.

SPECIFICATIONS:

- Safe Working Load (SWL) 7500kg Max.
- Unit Weight 450kg
- Load Centre 920mm
- Pocket Size 180 x 80mm



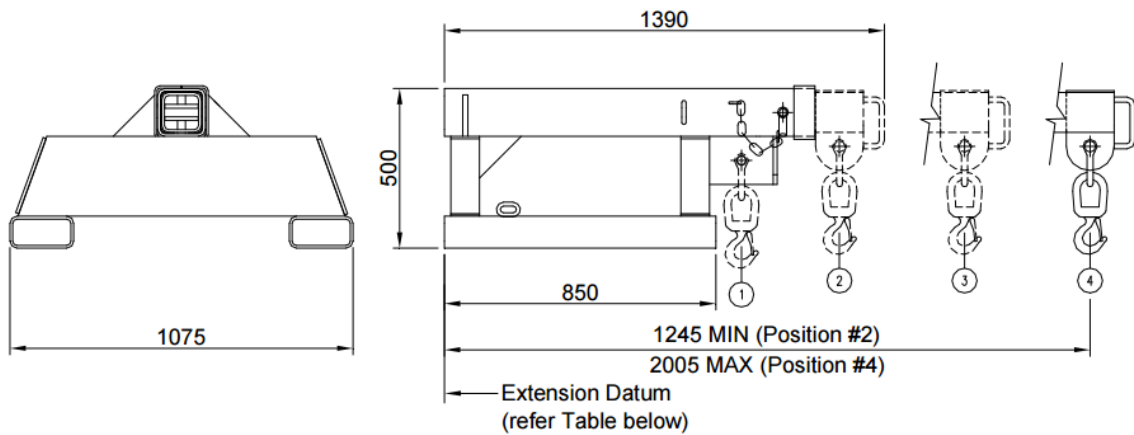
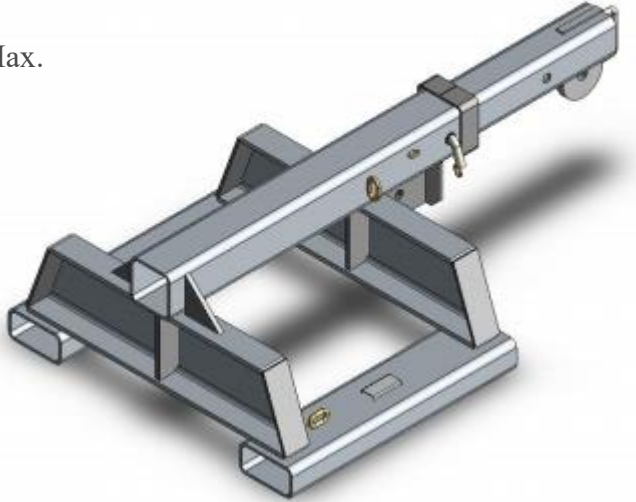
SAFE WORKING LOADS (SWL) PER POSITION								
POSITION	1	2	3	4	5	6	7	8
EXTENSION (mm)	920	1380	1805	2045	2425	2805	3185	3565
SWL (kg)	7500	6410	5700	4950	3750	1950	1140	720

Forklift Jib-FSJ7.5

The type FSJ7.5 Fixed Jib (Short) is designed as an affordable general purpose Jib able to manoeuvre in confined spaces, with a 2.0 metre reach when fully extended. This Jib has been designed with wide pockets suitable for Forklifts with special hydraulic Tine Positioners. This slip-on Forklift attachment is held to the Forklift by a safety chain. The Jibs overall length when closed is 1.39 metres. Supplied with safety swivel Hook and Shackle.

SPECIFICATIONS:

- Safe Working Load (SWL) 7500kg Max.
- Unit Weight 320kg
- Load Centre 930mm
- Pocket Size 180 x 80mm
- Pocket Centres 875 mm



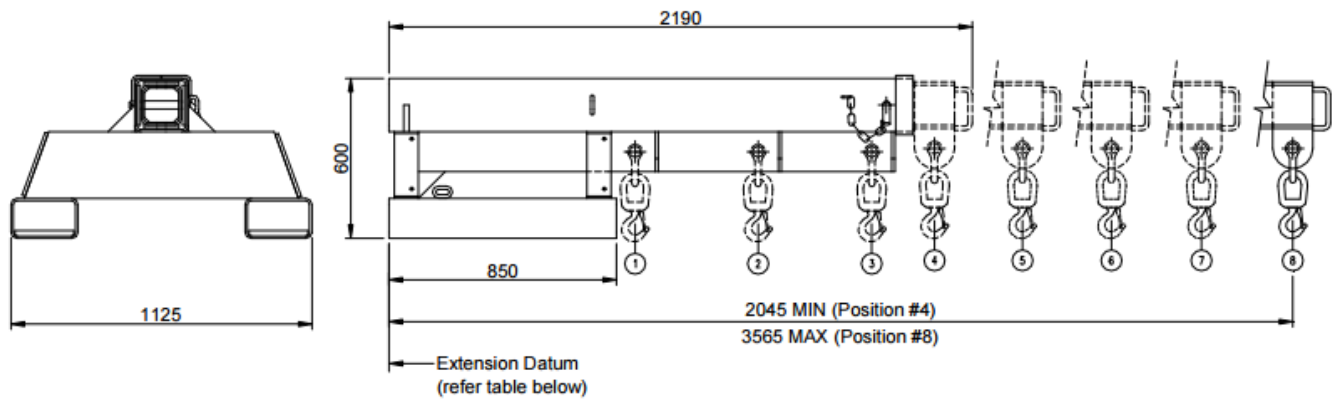
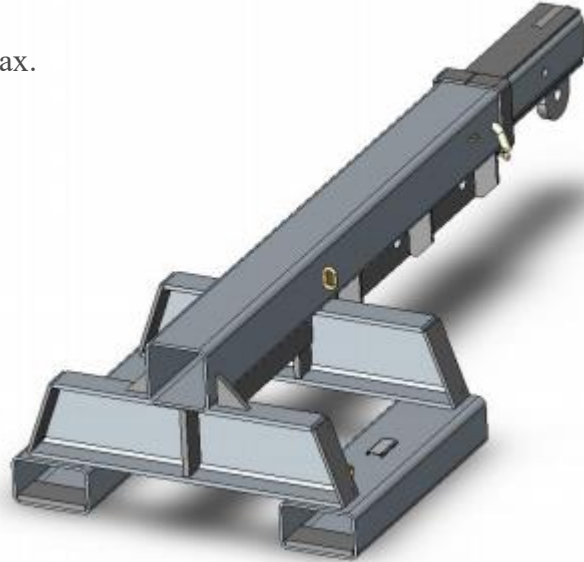
SAFE WORKING LOADS (SWL) PER POSITION				
POSITION	1	2	3	4
EXTENSION (mm)	930	1245	1625	2005
SWL (kg)	7500	3600	2700	2250

Forklift Jib-FLJ10

The type FLJ10 Fixed Jib (Long) is designed as an affordable general purpose Jib with a 3.56 metre reach when fully extended. This Jib has been designed with wide pockets suitable for Forklifts with special hydraulic Tine Positioners. This slip-on Forklift attachment is held to the Forklift by a safety chain. The Jibs overall length when closed is 2.19 metres. Supplied with safety swivel Hook and Shackle.

SPECIFICATIONS:

- Safe Working Load (SWL) 10,000kg Max.
- Unit Weight 515kg
- Load Centre 920mm
- Pocket Size 230 x 110mm
- Pocket Centres 875 mm



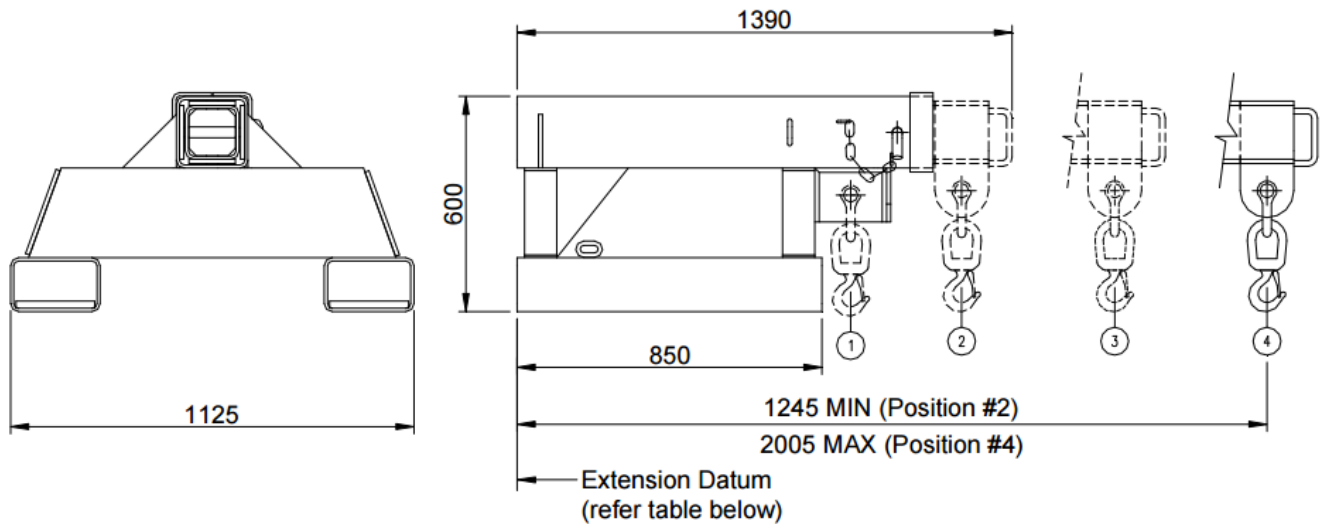
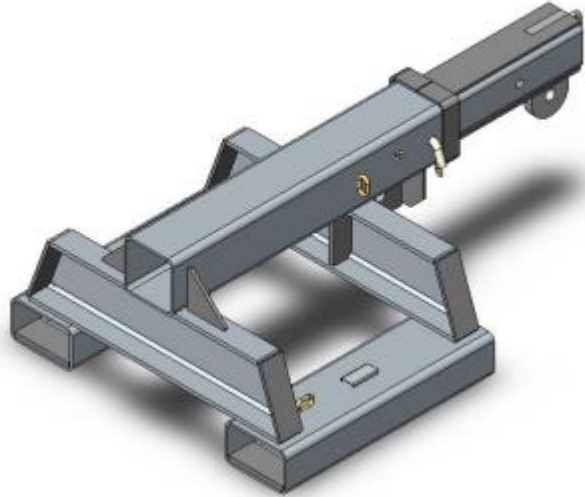
SAFE WORKING LOADS (SWL) PER POSITION								
POSITION	1	2	3	4	5	6	7	8
EXTENSION (mm)	920	1380	1805	2045	2425	2805	3185	3565
SWL (kg)	10,000	8550	7600	6600	5000	2600	1520	960

Forklift Jib-FSJ10

The type FSJ10 Fixed Jib (Short) is designed as an affordable general purpose Jib able to manoeuvre in confined spaces, with a 2.0 metre reach when fully extended. This Jib has been designed with wide pockets suitable for Forklifts with special hydraulic Tine Positioners. This slip-on Forklift attachment is held to the Forklift by a safety chain. The Jibs overall length when closed is 1.39 metres. Supplied with safety swivel Hook and Shackle.

SPECIFICATIONS:

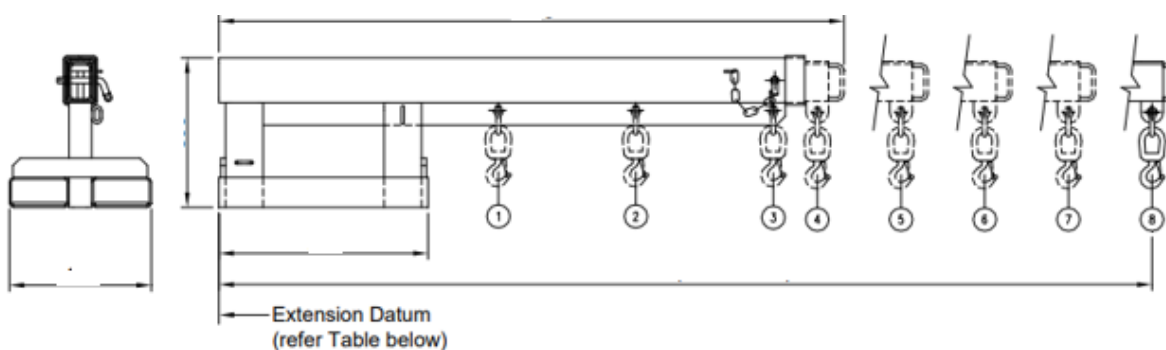
- Safe Working Load (SWL) 10,000kg Max.
- Unit Weight 400kg
- Load Centre 930mm
- Pocket Size 230 x 110 mm
- Pocket Centres 875 mm



SAFE WORKING LOADS (SWL) PER POSITION				
POSITION	1	2	3	4
EXTENSION (mm)	930	1245	1625	2005
SWL (kg)	10,000	4800	3600	3000

Fixed Jibs Size Chart-Comparison

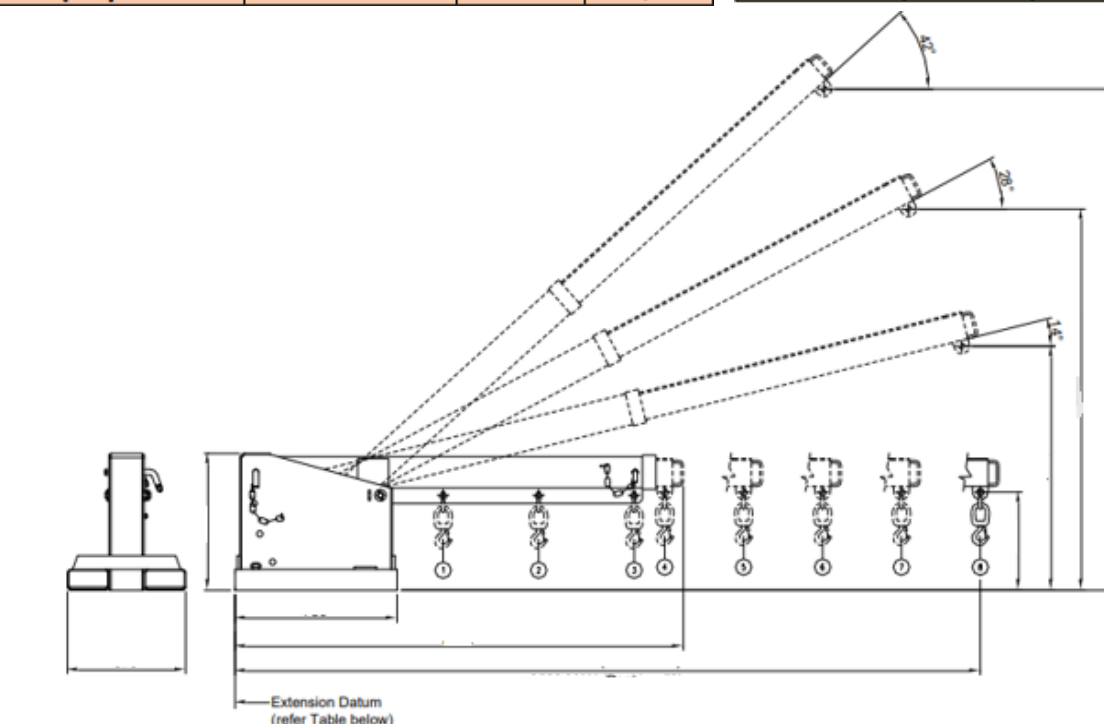
MODEL	FSJ2.5	FLJ2.5	FSJ5.0	FLJ5.0	FLJ7.5	FSJ7.5	FLJ10	FSJ10
POSITION 1								
EXTENSION (MM)	790	950	780	935	920	930	920	930
SWL (KG)	2500	2500	4750	4750	7500	7500	10,000	10,000
POSITION 2								
EXTENSION (MM)	1200	1410	1200	1395	1380	1245	1380	1245
SWL (KG)	1200	2500	2400	4275	6410	3600	8550	4800
POSITION 3								
EXTENSION (MM)	1580	1870	1580	1855	1805	1625	1805	1625
SWL (KG)	900	1900	1800	3800	5700	2700	7600	3600
POSITION 4								
EXTENSION (MM)	1960	2000	1960	2000	2045	2005	2045	2005
SWL (KG)	750	1650	1500	3300	4950	2250	6600	3000
POSITION 5								
EXTENSION (MM)	N/A	2380	N/A	2380	2425	N/A	2425	N/A
SWL (KG)	N/A	1250	N/A	2500	3750	N/A	5000	N/A
POSITION 6								
EXTENSION (MM)	N/A	2760	N/A	2760	2805	N/A	2805	N/A
SWL (KG)	N/A	650	N/A	1300	1950	N/A	2600	N/A
POSITION 7								
EXTENSION (MM)	N/A	3140	N/A	3140	3185	N/A	3185	N/A
SWL (KG)	N/A	380	N/A	760	1140	N/A	1520	N/A
POSITION 8								
EXTENSION (MM)	N/A	3520	N/A	3520	3565	N/A	3565	N/A
SWL (KG)	N/A	240	N/A	480	720	N/A	960	N/A



Tilt Jibs Size Chart-Comparison

MODEL	TLJ2.5	TLJ5.0	TSJ5.0
POSITION 1			
EXTENSION (MM)	1005	1000	920
SWL (KG)	2500	4750	4750
POSITION 2			
EXTENSION (MM)	1465	1460	1120
SWL (KG)	2500	4275	3600
POSITION 3			
EXTENSION (MM)	1925	1920	1270
SWL (KG)	1900	3800	2400
POSITION 4			
EXTENSION (MM)	2060	2070	1650
SWL (KG)	1650	3300	1800
POSITION 5			
EXTENSION (MM)	2440	2450	2030
SWL (KG)	1250	2500	1500
POSITION 6			
EXTENSION (MM)	2820	2830	N/A
SWL (KG)	650	1300	N/A
POSITION 7			
EXTENSION (MM)	3200	3210	N/A
SWL (KG)	380	760	N/A
POSITION 8			
EXTENSION (MM)	3580	3590	N/A
SWL (KG)	240	480	N/A

MODEL	TLJ2.5	TLJ5.0	TSJ5.0
TILT ANGLE	LIFTING HEIGHT (MM)		
0 DEGREE	405	470	472
15 DEGREE	1190	1170	795
30 DEGREE	1910	1825	1095
45 DEGREE	2400	2400	1360



Crane/Forklift Lifting Hooks/Jib Hooks

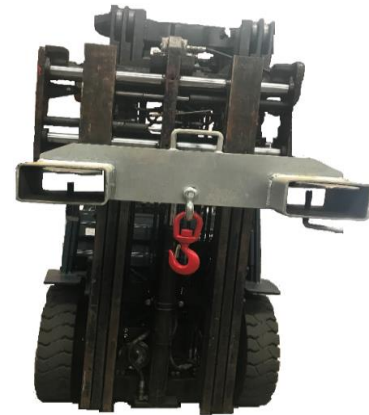
This jib is mounted on the tynes and secured by 2 locking screws

Supplied with swivel hook and alloy shackle.

Surface treatment is galvanize finish

FEATURES:

- Pocket size: 188mmx88mm
- Working Load Limit (WLL) 2000kg
- Unit weight 30kg



Crane Hook Ch2000

- Mounted on dual forks and secured with two locking screws
- Supplied with swivel safety hook and alloy shackle
- Surface treatment: galvanized finish

Type	A(mm)	B(mm)	C(mm)	Unit Weight (Kg)	Capacity (Kg)
CH2000	600	188	88	30.0	2000

Tow Bar forklift Jib Attachment



This slip on tow jib attachment with 2 hook positions and a tow ball fitted at the front of the jib. Both hook positions have a WLL of 2000kg. Not exceed 500kg when use the tow ball and the minimum capacity of the forklift is to be 2 tonne. Locking pins provided to prevent the jib from moving off the fork arm. Galvanized finish.

SPECIFICATIONS:

- Maximum weight on tow ball must not exceed 500kg
- Lifting Working Load Limit (WLL): 2000kg at 1160mm load center
- Unit Weight: 45kg
- Fork Pocket Size: 140 x 65mm
- Fork Pocket Length: 1220mm
- galvanized

Roll Prong/Carpet Prong-Carriage Mounted Type

Carriage Mounted Roll Prong is suitable for carpet, vinyl, fabric or similar products. This unit has been designed with a Class II mounting and features Quick Release lower Carriage Hooks and a spring loaded locating pin for easy installation. Prongs are manufactured from high tensile steel and can be made to any length. The Safe Working Load (SWL) of this unit varies depending on Prong chosen.

For Class III mountings refer RPC-QR3.

RPC-QR2 SPECIFICATIONS:

- Safe Working Load (SWL) 850KG
- Prong Length-2800mm
- Diameter-80mm
- Load Centre-1400mm
- Carriage -Class 2
- Unit Weight – 166kg
- Finish – Zinc Plated base and enamel painted prong

RPC-QR3 SPECIFICATIONS:

SPECIFICATIONS:

- Safe Working Load (SWL) 850kg
- Prong Length-2800mm
- Diameter-80mm
- Load Centre-1400mm
- Carriage -Class 3
- Unit Weight – 220kg
- Finish – Zinc Plated base and enamel painted prong

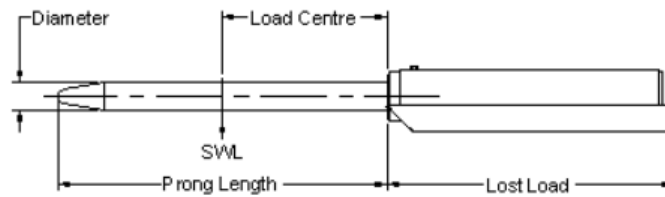


Slip on Roll Prong/Carpet Prong/Carpet Pole

The RPS Slip-on Roll Prong is designed for handling rolled products.

FEATURES:

- Suitable for handling fabric, cable and coil products
- Suits larger capacity forklifts due to the extended load centre created by the fork tines
- Quick and easy to mount on any forklift
- Safety chain prevents unintentional disengagement
- Manufactured from high tensile steel
- Enamel paint finish



Type	Diameter (mm)	Prong Length (mm)	SWL (kg)	Load Centre (mm)	Weight (kg)	Lost Load (mm)
RPS-2N-40-1200	40	1200	200	600	91	1040
RPS-2N-50-1800	50	1800	250	900	106	1040
RPS-2N-60-2800	60	2800	340	1400	141	1040
RPS-2N-70-2800	70	2800	510	1400	163	1040
RPS-2N-80-2800	80	2800	850	1400	194	1040
RPS-3N-100-2800	100	2800	1700	1400	328	1040



Solid Tyres

Our solid tyre provides the latest designed and technology to maximize performance in medium to high duty warehousing applications.

- Focuses on a lower rolling resistance and maximized “tread footprint” which enables the tyres to achieve economical running, safety and comfort in operation.
- The 3 compound’s key design features including heavy duty sidewall/rim protection, and use of premium materials (such as natural rubber) for longer wear and less heat fatigue.
- Conservatively priced, the tires will offer fantastic return for customers using forklifts in general applications.



Solid Tyres-Size Chart

We supply solid tyres for common use forklift, e.g. Toyota, Nissan, Mitsubishi, Yale, Hyster, TCM, & scissor lifts, e.g. Skyjack & JLC. Options including black tyres and n/m tyres, can also supply with brand new pressed on rims.

FORKLIFT SOLID TYRE	SIZE	MACHINE	COLOR	
			TYRE	RIM
WHEEL	500x8/3.00		white	black
	650x10/5.00		white	black
	600x9/4.00		white	black
	700x12/5.00(≤2.5t forklift)	NISSAN/YALE	white	black
	700x12/5.00(≤2.5t forklift)	TOYOTA	white	black
	500x8/3.00		black	black
	600x9/4.00		black	black
	650x10/5.00		black	black
	700x12/5.00(≤2.5t forklift)	NISSAN/YALE	black	black
	700x12/5.00(≤2.5t forklift)	TOYOTA	black	black
SOLID TYRE	300x15/8.00		black	/
	250x15/7.00		black	/
	250x15/7.00 click clock		black	/
	21x8-9/6.00 click clock		black	/
	16x6-8/4.33		black	/
	18x7-8/4.33(>2T forklift)		black	/
	28x9-15/7.00		black	/
	300x15/8.00		white	/
SCISSOR LIFT WHEEL			TYRE	RIM
	323X100	JLG 1930ES	grey	white
	406X125	JLG 2646ES/2630ES/JLG3246ES	grey	white
	16X5X12	SKYJACK3226/4632	grey	white
	200x8 (12x4)	SKYJACK-3219	grey	white

note: not all sizes listed above, please contact us if you cannot find required size

Load Guards

Load Guards are designed to be mounted to the forklift carriage to protect both the forklift and load being transported.

SPECIFICATIONS

- High Strength
- High Visibility
- class 2 sizes: 1020mm x 850mm & 920mm x 850mm
- class 3 size: 1070mmx850mm
- comes with bolts



Tynes/Forks

SPECIFICATIONS

- Tough high tensile steel
- Light weight, slow wearing
- Standard carriage hooks



Mounting Class	Weight per pair (kg)	Width x Thickness x Length
class 2	105	100X40X1070
class 2	112	100X45X1220
class 2	110	120X40X1070
class 2	124	120X40X1220
class 2	150	120X40X1530
class 2	168	120X40X1820
class 2	200	120X40X2100
class 2	220	120X40X2400
class 3	125	125X45X1070
class 3	146	125X45X1200
class 3	180	125X45X1520
class 3	200	125X45X1820
Class 3	250	125X50X2200
class 3	320	125X50X2400
class 3	346	150X50X2400
class 3	450	125X50X3000
class 3	500	150X50X3000
class 4	348	150X60X1220
class 4	368	150X60X1520
class 4	380	150X60X1820
class 4	400	150X60X2120
class 4	432	150X60X2400
class 4	348	150X60X3000
class 4	404	150X70X1820
class 4	452	150X70X2120
class 4	502	150X70X2400

note: not all sizes listed above, please contact us if you cannot find required size

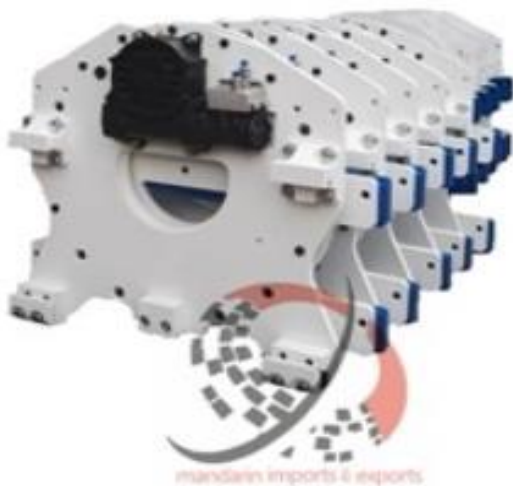
Rotators

Our range of 360° Rotators increases forklift functionality by enabling the operator to rotate loads and empty bins, while retaining the ability to handle palletized and conventional loads.

*Please note: Tines not included.



Model	Capacity @ Load Centre	Mounting Class	Carriage Width
CP-XQ25G01B	2500KGS @500mm	Class II	1020mm
CP-XQ30G01B	3500KGS @500mm	Class III	1100mm
CP-XQ54G01B	5400KGS @500MM	Class IV	1750mm



Side Shift–with complete load guard

Our range of side shifts allow lateral movement of the load, enabling the forklift operator to place the load in the correct position without various movements of the forklift truck. All side shifts come with load guards.

Model	Capacity @ Load Centre	Mounting Class	Carriage Width
CP-CY25D01B	2500KGS@600mm	Class 2	1020mm
CP-CY35D01B	3500KGS@600mm	Class 3	1070mm
SSS70D-001C-1190	6800kg@600mm	Class 4	1190mm
SSS70D-001C-1840	6800kg@600mm	Class 4	1840mm
SSS70D-001C-2300	6800kg@600mm	Class 4	2300mm



Forward Bulk Bin Tipper

Specifications

- Slip on
- 135 degree tilting angle completely empty the bins
- solid construction and self-lubrication bronze bushes
- grease nipples for harsher application
- only require one hydraulic function
- will fit forklifts up to 3 Ton
- self-clamping, single pivot point, thick skid plate and helper ram for smoother tipping
- capacity: 1000kgs
- Net Weight: 200kgs
- Dimension: 1700mm x 800mm x 800mm
- max suitable fork size: 125mm x 45mm x 1100mm
- suitable bin size: 1100mm-1200mm



Hand Pallet Jack-Standard or Euro Size



SPECIFICATIONS

- 2500KG CAPACITY
- Standard Pallet Jack Fork Width 685mm x Length 1220mm
- Euro Pallet Jack Fork Width 550 mm x Length 1150mm
- Galvanized Pump, Polyurethane Wheel, PU Single Front Wheel
- Total Life Height 188mm
- Lowered Fork Height 75mm