



mandarin imports & exports

mandarin imports & exports

Forklift Attachments Catalogue



Tyre Extension Slippers P1

Container ramps P2

Safety cages/work platforms P3

Jibs P4-6

Load Guards P7

Tynes/Forks P8

Rotators P9

Side Shifts P10

Forward Bulk Bin Tipper P11

Hand Pallet Jacks P12

50 Mandarin Street, Fairfield East NSW 2165
02-97270753 | SERENE@MANDARINIMPORTSEXPORTS.COM.AU

Slippers

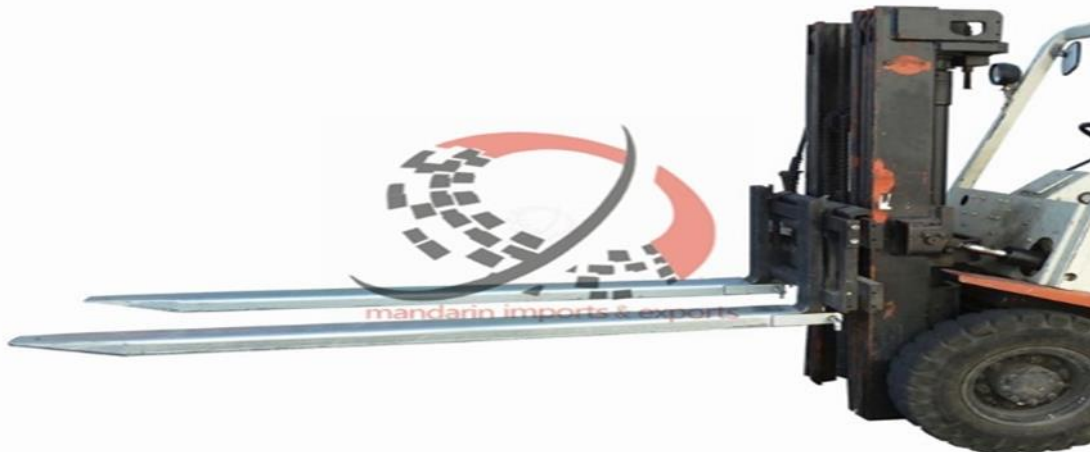


SPECIFICATIONS:

- Made of High Tensile Grade Steel
- Zinc Plated for added Protection
- High Safe Working Load (SWL) Rating
- Supplied with Toggle Locking Pins
- Fitted with Rating Plate
- All slippers sold as a pair



Type	Class	Length (MM)	To Suit Max Tyne Size	Weight Per Pair	SWL (kg) per pair At 600mm L/C
TE2-18	2	1800MM	130 X 50MM	66 KGS	4500 KGS
TE2-21	2	2100MM	130 X 50MM	77 KGS	4500 KGS
TE2-24	2	2400MM	130 X 50MM	88 KGS	4500 KGS
TE3-21	3	2100MM	150 X 60MM	119 KGS	6500 KGS
TE3-24	3	2400MM	150 X 60MM	136 KGS	6500 KGS
TE3-30	3	3000MM	150 X 60MM	170 KGS	6500 KGS
TE3-35	3	3500MM	150 X 60MM	202 KGS	6500 KGS
TE4-21	4	2100MM	165 X 65MM	132 KGS	8500 KGS
TE4-24	4	2400MM	165 X 65MM	152 KGS	8500 KGS
TE4-30	4	3000MM	165 X 65MM	260 KGS	8500 KGS



Container Ramps

CR60 This type of container ramp is the economic solution for the safe loading and unloading of goods from a container.

Specifications:

- Rated Capacity: 6000 Kgs
- low gradient 1.25m length x 2.2m width
- 5mm steel and reinforced with ribs
- Weight: 180KGS
- Enamel painted finish in safety yellow
- Built in pockets for forklift to pick up and locate the container ramp easily
- Fork Pocket Size 165 x 60mm



CR70 This type of container ramps are designed for bridging into standard containers from ground level.

The self-levelling lip allows for full load capacity when on slightly uneven ground.

Specifications:

- Rated Capacity: 7000 Kgs
- low gradient 2m length x 2.2m width
- front section folds back to allow easy forklift access from front.
- 5mm steel and reinforced with ribs
- Weight: 304KGS
- Enamel painted finish in safety yellow
- Built in pockets for forklift to pick up and locate the container ramp easily
- Fork Pocket Size 165 x 60mm



Safety Cage/ Work Platform-Yellow Painted or Galvanised

Our work platform has been designed to carry out those maintenance tasks of short duration and occasional usage where safe working at height is paramount. Fitted with a self-closing inward opening gate and comes complete with two Floor Mounted Harness Anchor Points for extra safety.

Non-slip floor with drain holes.
Flat packed for easy transport.

SPECIFICATIONS:

- Safe Working Load (SWL): 250kg
- Load Centre: 600mm Unit Weight: 122kg
- Pocket Size: 160 x 65mm
- Floor dimensions inside: 1040 x 1070mm
- Flat packed dimension: 1040 x 1070 x 200mm
- Assembled Dimension: 1040 x 1070 x 2080mm
- Enamel painted finish in safety yellow or galvanised zinc plated
- Supplied with Fork Locking Pins

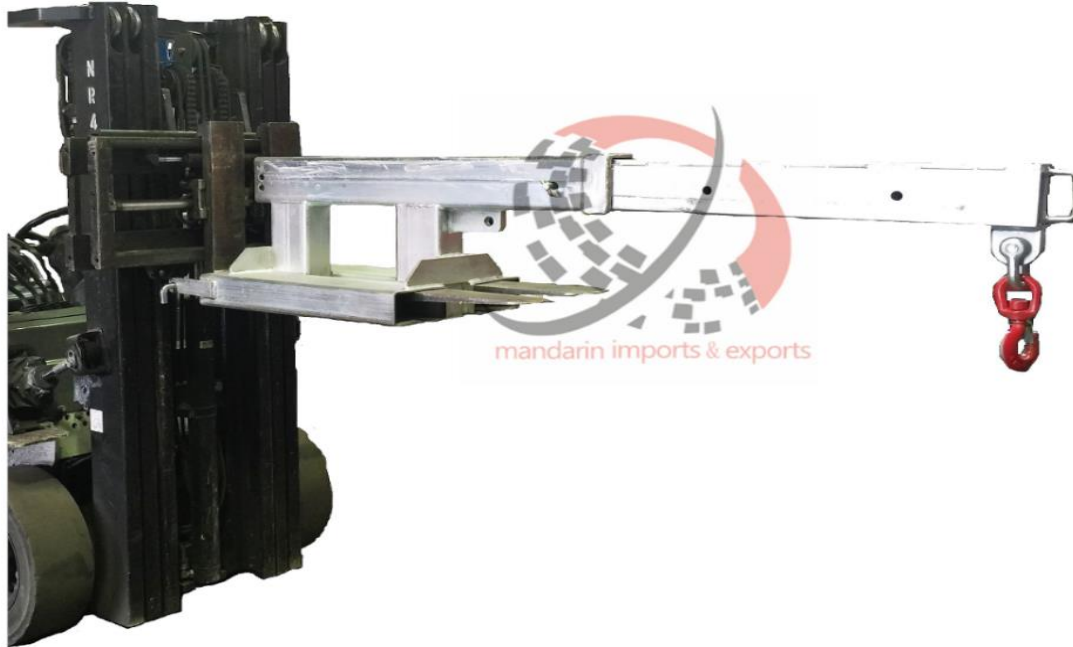


Please note the use of this work platform on a forklift truck should not be considered if the capacity of that forklift is less than 1860kg for a counterbalanced type or 1116kg for a reach type Forklift.



Forklift Jib-FSJ2.5

Our fixed Short Jib is designed as an affordable general purpose Jib able to maneuver in confined spaces, with a 1.96 meter reach when fully extended. This slip-on attachment is held to the forklift by a locking pin. The overall length of the jib when closed is 1.3 meters.



SPECIFICATIONS:

- Safe Working Load (SWL) 2500kg Max.
- Unit Weight 100kg
- Load Centre 790mm
- Pocket Size: 185mm x 65mm
- Zinc Plated for added protection

Safe Working Load (SWL) Per Position				
Position	1	2	3	4
Extension (mm)	790	1200	1580	1960
SWL (KGS)	2500	1200	900	750



Forklift Jib-FLJ2.5

This jib has a 3.5 meters extension which allows for long reach lifts. The overall length of the jib when retracted is 2.1 meters.

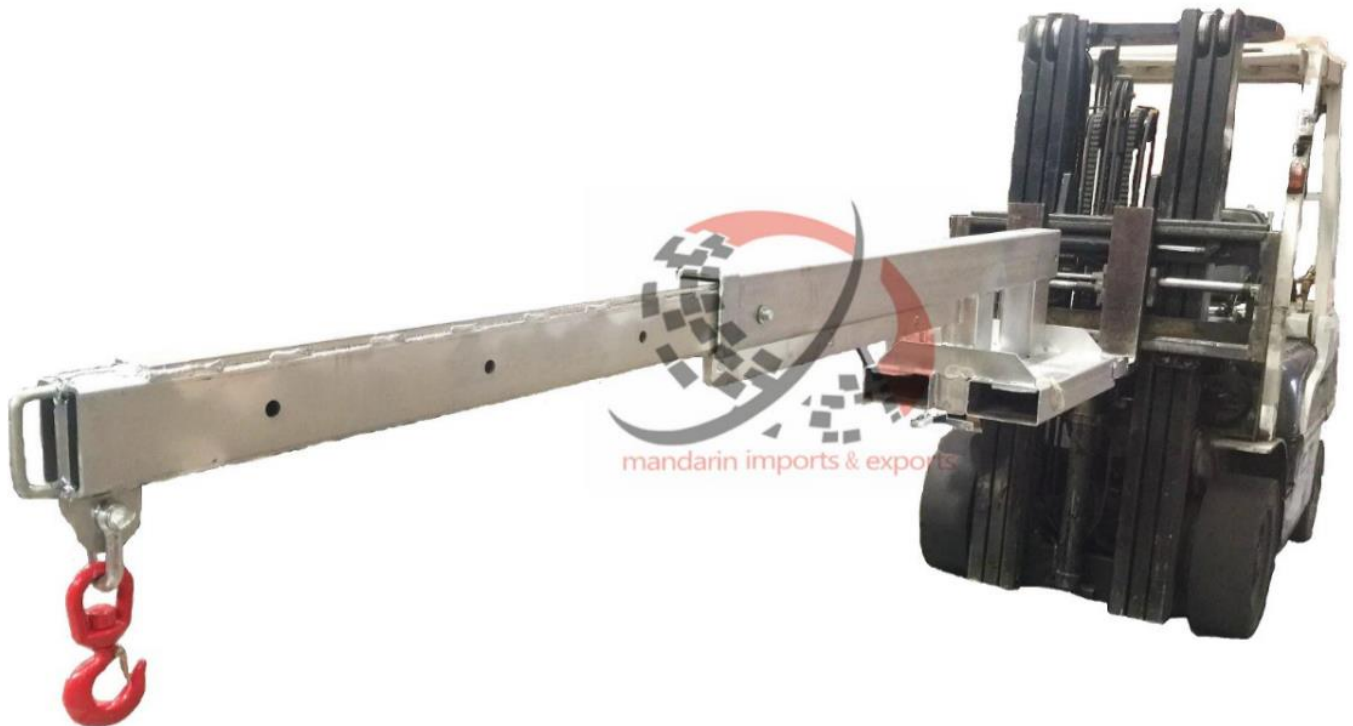
This slip-on attachment is held to the forklift by 2 safety pins, with standard Zinc Plated finish.

SPECIFICATIONS:

- Safe Working Load (SWL) 2500kg Max.
- Unit Weight 168kg
- Load Centre 790mm
- Pocket Size: 185mm x 75mm
- Zinc Plated for added protection



Safe Working Load (SWL) Per Position								
Position	1	2	3	4	5	6	7	8
Extension (mm)	950	1410	1870	2000	2380	2760	3140	3520
SWL (KG)	2500	2500	1900	1650	1250	650	380	240

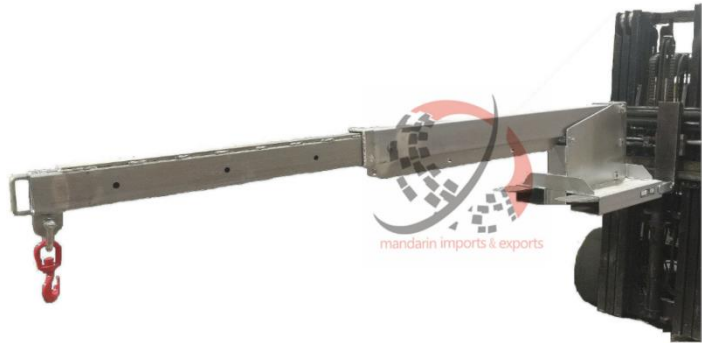


Forklift Jib-TLJ2.5

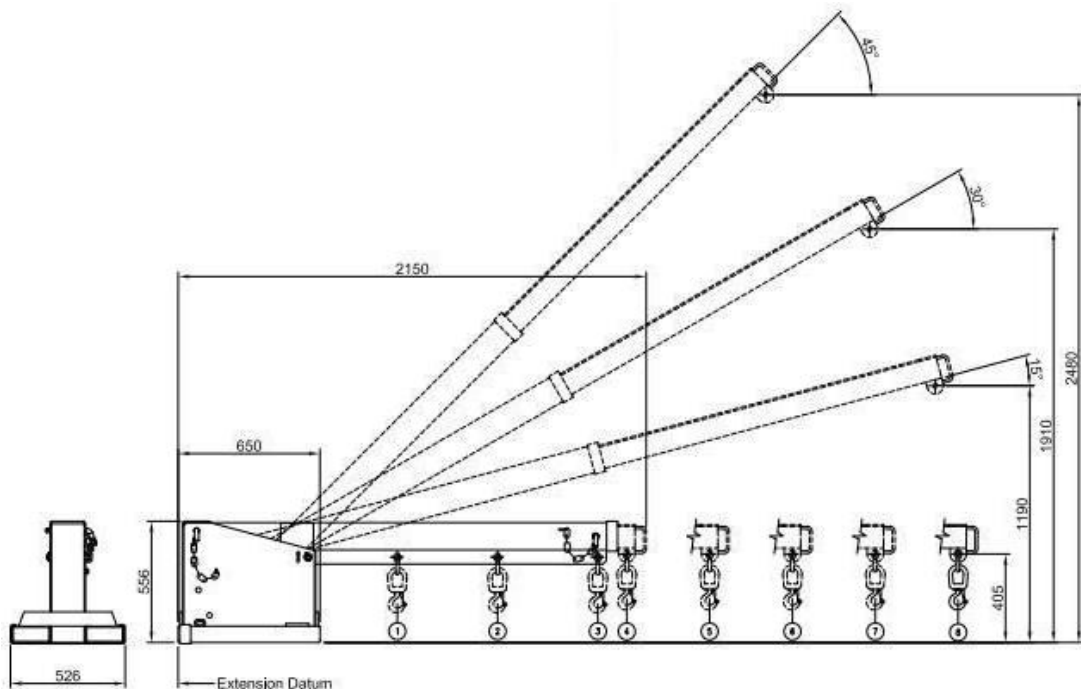
With a maximum reach of 3.58 meters and an additional height of 2.4 meters when fully extended, this tilt jib is extremely versatile. 8 hook positions available as well as 3 different angle positions. Zinc plated finish. This slip-on attachment is held to the forklift by 2 safety pins.

SPECIFICATIONS:

- Safe Working Load (SWL)
2500kg Max.
- Unit Weight 196kg
- Load Centre 790mm
- Pocket Size: 185mm x 75mm
- Zinc Plated for added protection



Safe Working Load (SWL) per position								
POSITION	1	2	3	4	5	6	7	8
EXTENSION (mm)	1005	1465	1925	2060	2440	2820	3200	3580
SWL (kg)	2500	2500	1900	1650	1250	650	380	240



Load Guards

Load Guards are designed to be mounted to the forklift carriage to protect both the forklift and load being transported.

SPECIFICATIONS

- High Strength
- High Visibility
- 2 sizes available:
1020mm x 850mm & 920mm x 850mm
- comes with bolts



Tynes/Forks

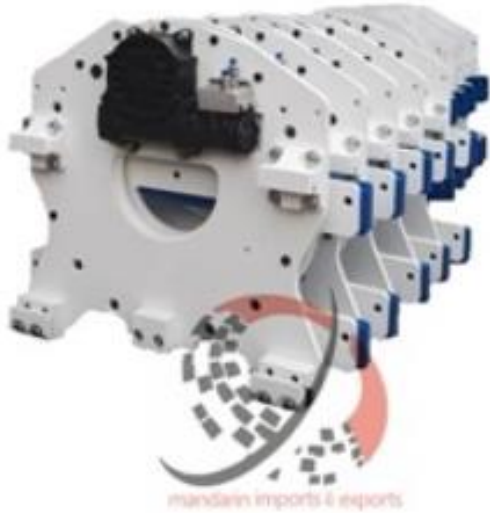
SPECIFICATIONS

- Tough high tensile steel
- Light weight, slow wearing
- Standard carriage hooks



Type	Size	Load Capacity
Class 2	100*35*1070	1.8 Ton
Class 3	125*50*3000 mm	4 Ton





Rotators

Our range of 360° Rotators increases forklift functionality by enabling the operator to rotate loads and empty bins, while retaining the ability to handle palletized and conventional loads.

*Please note: Tines not included.



Model	Capacity @ Load Centre	Mounting Class	Carriage Width
CP-XQ25G01B	2500KGS @500mm	Class II	940mm
CP-XQ30G01B	3000KGS @500mm	Class III	1100mm



Side Shift-with complete load guard

Our range of side shifts allow lateral movement of the load, enabling the forklift operator to place the load in the correct position without various movements of the forklift truck. All side shifts come with load guards.

Model	Capacity @ Load Centre	Mounting Class	Carriage Width
CP-CY25D01B	2500KGS@600mm	Class II	1020mm
CP-CY35D01B	3500KGS@600mm	Class III	1070mm



Forward Bulk Bin Tipper

Specifications

- Slip on
- 135 degree tilting angle completely empty the bins
- solid construction and self-lubrication bronze bushes
- grease nipples for harsher application
- self-clamping, single pivot point, thick skid plate and helper ram for smoother tipping
- max suitable fork size: 125mm x 45mm x 1100mm
- suitable bin size: 1100mm-1200mm



Hand Pallet Jack-Standard or Euro



SPECIFICATIONS

- 2500KG CAPACITY
- Standard Pallet Jack Fork Width 685mm x Length 1220mm
- Euro Pallet Jack Fork Width 550 mm x Length 1150mm
- Galvanized Pump, Polyurethane Wheel, PU Single Front Wheel
- Total Life Height 188mm
- Lowered Fork Height 75mm